



268

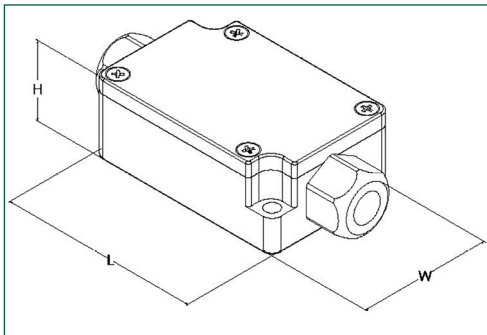
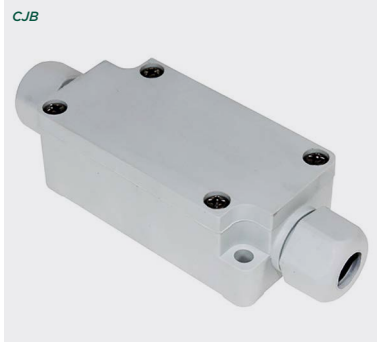
HANDHELD CASES

89 Series Terminal Block Junction Box Enclosure

TAKACHI

Product overview

- Integrated junction box consisting of cable glands and one terminal block
- IP65 rated
- Available in 3, 4 and 6 poles
- Supplied with 2pcs each of Ø5 and Ø7.4 rubber cable bushes
- Suitable for industrial applications, power cable joints wiring for motors or sensors
- 89 series has been designed to meet the requirements of IP65



SPECIFICATION	
Rated voltage	250V
Rated current	15A
Applicable wire	1.25mm ²
Standard tightening torque	0.5N
Operating temperature	-20°C to +75°C
Material:	
Cover, base and cable cap	PBT (UL94-V0)
Rubber bush	EPDM
Gasket	Polyurethane
Conductive plate	Brass
Terminal screw	Steel M3
Cover screw	Stainless steel M3
Protection class	89 series has been designed to meet the requirements of IP65

GREY	LENGTH	WIDTH	HEIGHT	DESCRIPTION
CJB893PLG	65mm	33mm	24mm	3 pole
CJB894PLG	60mm	40mm	24mm	4 pole
CJB896PLG	70mm	50mm	24mm	6 pole

KEY FEATURES

Integrated terminal block | Suitable for industrial applications



292

UNIVERSAL
PLASTIC
ENCLOSURES

317

HEAVY DUTY
AND ELECTRICAL
ENCLOSURES

341

DEVELOPMENT
BOARD
ENCLOSURES

369

VERSATILE IOT
AND SENSOR
ENCLOSURES

PLASTIC ENCLOSURES